

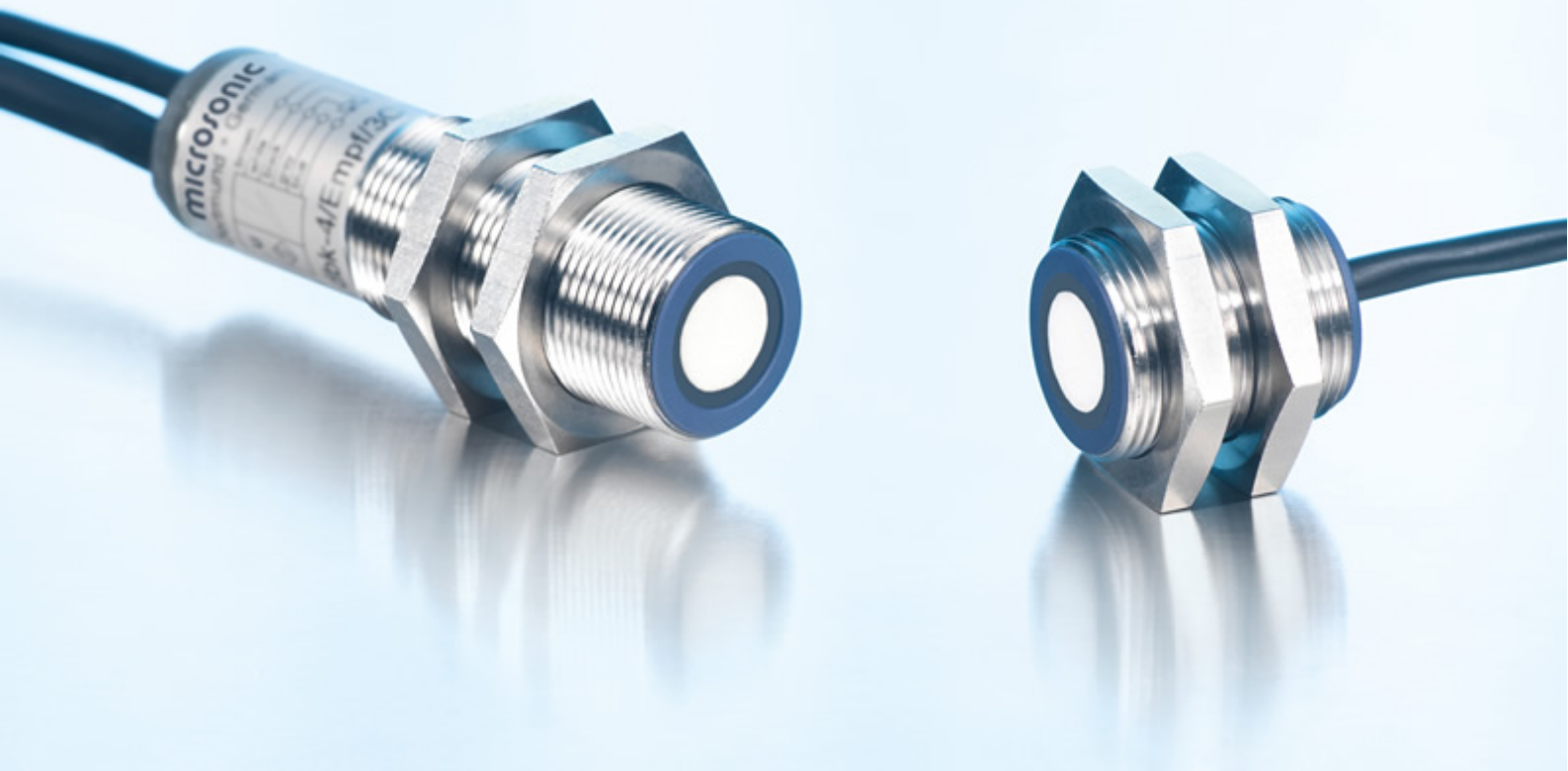
microsonic

EVERY THING ULTRA SONIC

Extract from our online catalogue:

dbk+4 ultrasonic double-sheet control

Current to: 2023-06-14



The new ultrasonic double-sheet control dbk+4 combines multiple variants of its predecessor into a single unit, opening up entirely new possibilities for use.

HIGHLIGHTS

- › 3 control inputs › for trigger, Teach-in and external sensitivity settings for the material
- › Teach-in option › e.g. for probing wafers stuck together by a water film
- › Variant with 90° angled head › for individual installation situations
- › Variant with external M18 receiving transducer
- › Variants with very compact transmitters and receivers in the M12 threaded sleeve

BASICS

- › Reliable detection of single and double sheets
- › No Teach-in needed (plug and play)
- › Double sheet and missing sheet output
- › Working distance between the transmitter and the receiver selectable from 20 to 60 mm
- › Trigger option › for applications in warehouse flow
- › LinkControl › for configuration of sensors from a PC

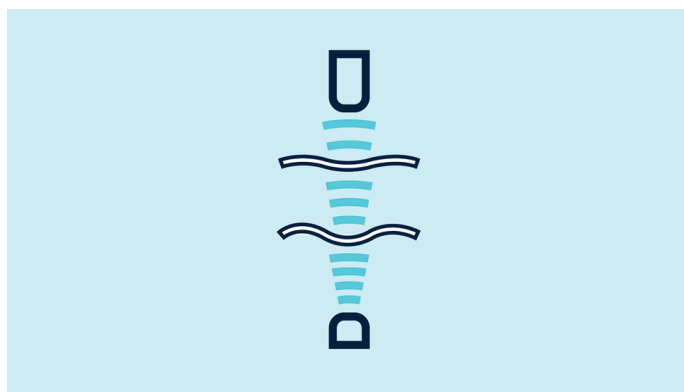
Description

The task

of double-sheet control is to identify two or more pieces or sheets inadvertently adhering together.

The functional principle

A high-frequency ultrasonic transmitter beams against the sheet from the underside. The beamed signal induces the material to vibrate. The effect of these vibrations is a very small sonic wave on the other side of the sheet being spread. This wave is evaluated by the ultrasonic receiver on the opposite side. The signal from the stacked sheet ("double sheet") is so weak that it hardly gets to the receiver. The dbk+4 detects missing, single and double sheet.



Functional principle

The working ranges

The new dbk+4 has 3 control inputs by means of which 3 working range can be preselected. The standard working ranges covers the sheet material weight range from 20 g/m² to 1,200 g/m². Extremely thin materials such as Bible printing paper with a weight per unit area of less than 20 g/m² are scanned with the use of the "Thin" setting.

The "Thick" setting is available for paperboard containers and fine-corrugated card. Changes between the working ranges can be undertaken under on-going operations. A Teach-in for the material to be scanned is not necessary.

If the 3 control inputs stay unconnected, then the dbk+4 operates in the standard working range. As such, a very broad material spectrum can be scanned.

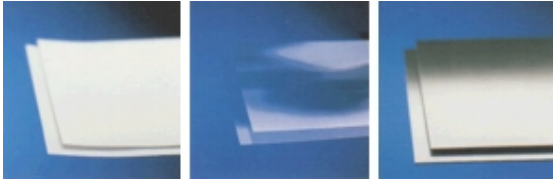
Teach-in

The Teach-in function is additionally available for materials which cannot be scanned with one of the three working ranges. A material Teach-in is done by inserting a single sheet into the double-sheet control. The C3 control input is then placed to logic 1 level for at least 3 seconds. Materials with non-homogeneous elements must be moved during the Teach-in phase so that the dbk+4 detect them. Success with a Teach-in operation is shown by a green LED. The material can now be scanned. The Teach-in makes it possible to scan material from thin Washi to wafers glued with a water film.

Range of uses of dbk+4:

- › Sheet-printing machines

- › Assembly machines
- › Folding machines
- › Paper-processing machines
- › Manufacturing of solar cells and silicon wafers
- › Labelling
- › PCB manufacturing



Paper, Film, Sheet material

The mounting

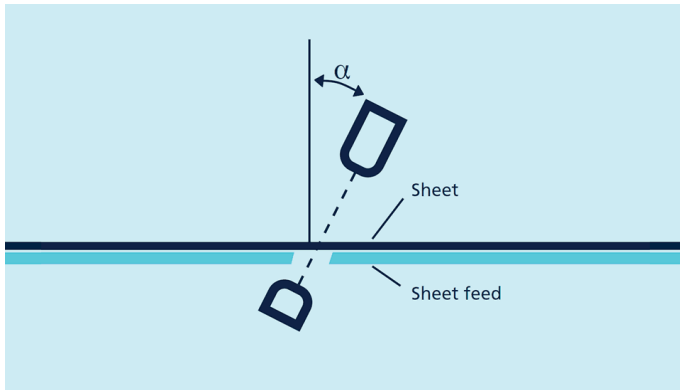
The recommended spacing between transmitter and receiver is 40 mm (or 20 mm with dbk+4/M12/CD/M18 ER+S). If needed, this spacing can be adapted to the local conditions in the 20 to 60 mm range. For the matter of commissioning, this can be done by means of a simple Teach-in or with the LinkControl parameterisation software.



Double-sheet control

Material-conditioned fitting position

With papers and thin films, the double-sheet control is effected perpendicularly to the material; flapping does not impair the function. In the case of fine-corrugated card, thin sheet metal, wafers or thicker plastic films (e. g. credit cards), the dbk+4 should to be mounted at a specific angle of inclination α to the material running through.



Fine-corrugated card can be optimally dimensioned at an inclination of $\alpha \geq 35^\circ$, thin sheet metal or thicker plastic films at 27° and wafers at an angle of 11°

The free-run mode

The dbk+4 operates as standard in the free-run mode. This means that the dbk+4 cyclically carries out measurements at a high measuring rate. Under ongoing operations, the working range can be changed and a teach-in carried out by means of the C1 to C3 control inputs.

	C1	C2	C3
Standard	0	0	0
Thick	0	1	0
Thin	1	0	0
Teach-in mode	1	1	0
Teach-in	1	1	1

Free-run mode – selection of the working range

The trigger mode

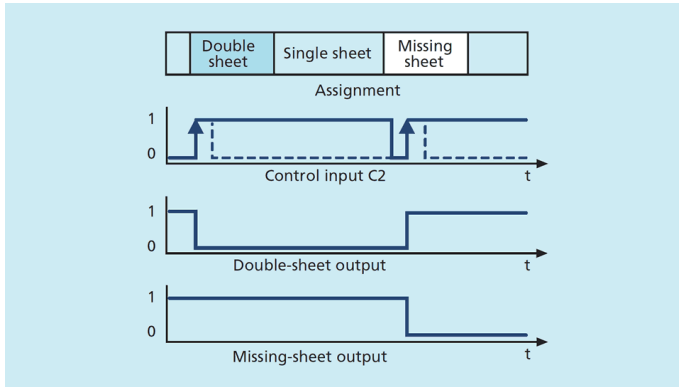
Should, on the other hand, measurements be undertaken in applications with continuous feed, then an external trigger signal can trigger a measurement. This function is parameterised with the aid of the [LinkControl software](#). A choice can be made between edge trigger and level trigger. The C2 control input then assumes the function of the trigger input (tr).

	C1	C2	C3
Standard	0	tr	0
Thin	0	tr	1

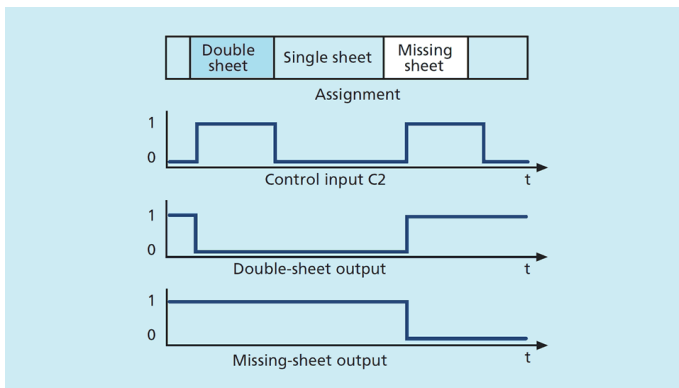
	C1	C2	C3
Teach-in mode	1	tr	0
Teach-in	1	tr	1

Trigger mode – selection of the working range

Under ongoing operations, the working range can be changed by means of the C3 control input.



Trigger mode – edge-controlled



Trigger mode – level-controlled

Support through LinkControl

dbk+4 can be comprehensively parameterised with the aid of the [LinkControl software](#) . To this end, the dbk+4 is connected to the LCA-2 [LinkControl adapter](#) . Using the [LinkControl software](#) , a USB cable connects the LCA-2 to the PC.

The following parameters can be individually adapted:

- › Spacing between transmitter and receiver
- › Double sheet - NOC/NCC
- › Single sheet or missing sheet NOC/NCC
- › Trigger mode on/off

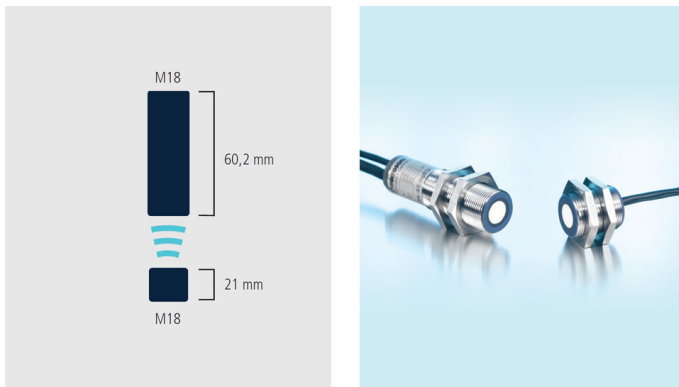
- › Edge-controlled trigger: falling/ rising edge
- › Level-controlled trigger: high/low active
- › Switch-on delay for detecting double sheet
- › Switch-off delay for detecting double sheet
- › Threshold values for the working ranges



Four housing variants

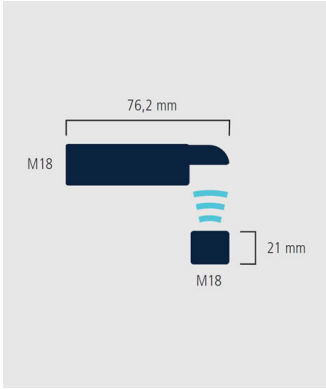
Four housing variants cover all imaginable fitting positions.

a) Standard: dbk+4/3CDD/M18 E+S



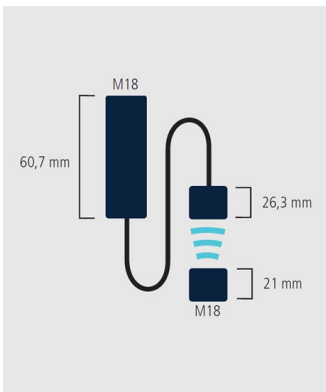
The standard: receiver and all the evaluation electronics are housed in an M18 threaded sleeve, which is only 60.2 mm long. The transmitter is housed in an M18x21 mm threaded sleeve and a 2-pin plug connects it to the receiver.

b) Receiver with 90° angular head: dbk+4/WK/3CDD/M18 E+S



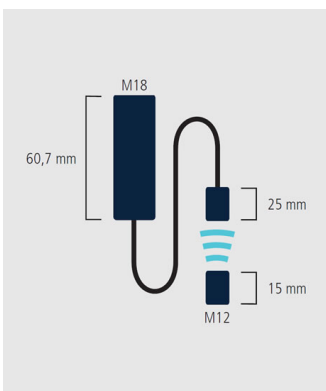
As with the standard, but here the receiver is arranged at right angles to the M18 threaded sleeve.

dbk+4/M18/3CDD/M18 E+S



In the case of cramped fitting positions, 2 variants are available. They feature transmitter and receiver outsourced in either short M18 or M12 threaded sleeves and the receivers connected with double shielding cables to the evaluation electronics.

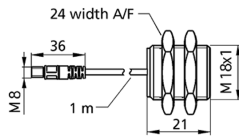
dbk+4/M12/3CDD/M18 E+S



The M12-heads variant has an optimum spacing of 20 mm between transmitter and receiver.

dbk+4/Sender/M18/K1

scale drawing



detection zone

working range	papers with weights of 20 - 2,000 g/m ² , Washi, metal-laminated sheets and films up to 0.4 mm thick, self-adhesive films, sheet metals up to 0.3 mm thick, fine corrugated card, wafers, PCBs
design	cylindrical M18
operating mode	double sheet control
particularities	transmitter for ultrasonic double sheet control distance between transmitter and receiver can be selected cable connection
ultrasonic-specific	
means of measurement	pulse operation with amplitude evaluation
transducer frequency	400 kHz
blind zone	7 mm in front of transmitter and receiver
electrical data	
transmitter cable	1 m PUR cable with M8 initiator plug
housing	
transmitter/receiver spacing	20 - 60 mm; optimal: 40 mm ± 3 mm
permissible angular deviation	± 45° from the perpendicular to the sheet
material	brass sleeve, nickel-plated, plastic parts, PBT
ultrasonic transducer	polyurethane foam, epoxy resin with glass contents
max. tightening torque of nuts	15 Nm
class of protection to EN 60529	IP 65
operating temperature	+5°C to +60°C
storage temperature	-40°C to +85°C
weight	30 g
further versions	different cable length
further versions	dbk-4/Sender/M18/K2

dbk+4/Sender/M18/K1

technical features/characteristics

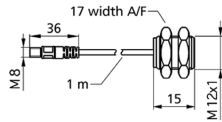
controls	not necessary
scope for settings	not necessary
particularities	transmitter for ultrasonic double sheet control distance between transmitter and receiver can be selected cable connection

order no.	dbk+4/Sender/M18/K1
-----------	----------------------------

The content of this document is subject to technical changes.
Specifications in this document are presented in a descriptive way
only. They do not warrant any product features.

dbk+4/Sender/ M12/K1

scale drawing



detection zone

working range	papers with weights of 20 - 600 g/m ² , Washi, metal-laminated sheets and films up to 0.2 mm thick, self-adhesive films
design	cylindrical M12
operating mode	double sheet control
particularities	transmitter for ultrasonic double sheet control distance between transmitter and receiver can be selected M12 cable connection
ultrasonic-specific	
means of measurement	pulse operation with amplitude evaluation
transducer frequency	500 kHz
blind zone	7 mm in front of transmitter and receiver
electrical data	
transmitter cable	1 m PUR cable with M8 initiator plug
housing	
transmitter/receiver spacing	20 - 40 mm; optimal: 20 mm ± 2 mm
permissible angular deviation	± 45° from the perpendicular to the sheet
material	brass sleeve, nickel-plated, plastic parts, PBT
ultrasonic transducer	polyurethane foam, epoxy resin with glass contents
max. tightening torque of nuts	3 Nm
class of protection to EN 60529	IP 65
operating temperature	+5°C to +60°C
storage temperature	-40°C to +85°C
weight	20 g

dbk+4/Sender/ M12/K1

technical features/characteristics

controls	not necessary
scope for settings	not necessary
particularities	transmitter for ultrasonic double sheet control distance between transmitter and receiver can be selected M12 cable connection

order no.	dbk+4/Sender/ M12/K1
-----------	-----------------------------

The content of this document is subject to technical changes.
Specifications in this document are presented in a descriptive way
only. They do not warrant any product features.

dbk+4/Sender/KU/K2

scale drawing

detection zone

working range	papers with weights of 20 - 1,200 g/m ² , metal-laminated sheets and films up to 0.4 mm thick, self-adhesive films, sheet metals up to 0.3 mm thick, fine corrugated card
design	special design
operating mode	double sheet control
particularities	transmitter for ultrasonic double sheet control cuboidal long connection cable

ultrasonic-specific

means of measurement	pulse operation with amplitude evaluation
transducer frequency	400 kHz
blind zone	7 mm in front of transmitter and receiver

electrical data

transmitter cable	2 m PUR cable with M8 initiator plug
-------------------	--------------------------------------

housing

transmitter/receiver spacing	40 mm ± 3 mm
permissible angular deviation	± 45° from the perpendicular to the sheet
material	PBT
ultrasonic transducer	polyurethane foam, epoxy resin with glass contents
class of protection to EN 60529	IP 65
operating temperature	+5°C to +60°C
storage temperature	-40°C to +85°C
weight	40 g

technical features/characteristics

controls	not necessary
scope for settings	not necessary
particularities	transmitter for ultrasonic double sheet control cuboidal long connection cable

dbk+4/Sender/KU/K2

order no.

dbk+4/Sender/KU/K2

The content of this document is subject to technical changes.
Specifications in this document are presented in a descriptive way
only. They do not warrant any product features.

dbk+4/Sender/KU/K1

scale drawing

detection zone

working range	papers with weights of 20 - 1,200 g/m ² , metal-laminated sheets and films up to 0.4 mm thick, self-adhesive films, sheet metals up to 0.3 mm thick, fine corrugated card
design	special design
operating mode	double sheet control
particularities	transmitter for ultrasonic double sheet control cuboidal long connection cable

ultrasonic-specific

means of measurement	pulse operation with amplitude evaluation
transducer frequency	400 kHz
blind zone	7 mm in front of transmitter and receiver

electrical data

transmitter cable	1 m PUR cable with M8 initiator plug
-------------------	--------------------------------------

housing

transmitter/receiver spacing	40 mm ± 3 mm
permissible angular deviation	± 45° from the perpendicular to the sheet
material	PBT
ultrasonic transducer	polyurethane foam, epoxy resin with glass contents
class of protection to EN 60529	IP 65
operating temperature	+5°C to +60°C
storage temperature	-40°C to +85°C
weight	30 g

technical features/characteristics

controls	not necessary
scope for settings	not necessary
particularities	transmitter for ultrasonic double sheet control cuboidal long connection cable

dbk+4/Sender/KU/K1

order no.

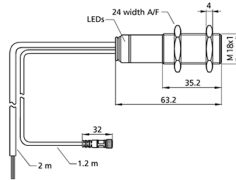
dbk+4/Sender/KU/K1

The content of this document is subject to technical changes.
Specifications in this document are presented in a descriptive way
only. They do not warrant any product features.

dbk+4/Empf/3CDD/M18

scale drawing

detection zone



2 x pnp

working range	papers with weights of 20 - 2,000 g/m ² , Washi, metal-laminated sheets and films up to 0.4 mm thick, self-adhesive films, sheet metals up to 0.3 mm thick, fine corrugated card, wafers, PCBs
design	cylindrical M18
operating mode	double sheet control
particularities	receiver for ultrasonic double sheet control distance between transmitter and receiver can be selected cable connection

ultrasonic-specific

means of measurement	pulse operation with amplitude evaluation
transducer frequency	400 kHz
blind zone	7 mm in front of transmitter and receiver

electrical data

operating voltage U _b	20 - 30 V d.c., reverse polarity protection
voltage ripple	± 10 %
no-load current consumption	≤ 50 mA
type of connection	2 m PUR cable, 7 x 0.14 mm ²
transmitter cable	1.2 m PUR cable with M8 initiator plug

dbk+4/Empf/3CDD/M18

outputs

output 1	double sheet output pnp: $I_{\max} = 200 \text{ mA}$ ($U_B - 2\text{V}$) NOC/NCC adjustable, short-circuit-proof
output 2	missing sheet output pnp: $I_{\max} = 200 \text{ mA}$ ($U_B - 2\text{V}$) NOC/NCC adjustable, short-circuit-proof
response time	< 500 μs in trigger mode, 2.5 ms in free-run mode
delay prior to availability	< 300 ms

inputs

description	< $-U_B + 18 \text{ V}$: logic 1; > $-U_B + 13 \text{ V}$ or control input open: logic 0
input 1	control input
input 2	control input
input 3	control input

housing

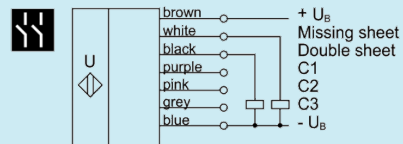
transmitter/receiver spacing	20 - 60 mm; optimal: 40 mm \pm 3 mm
permissible angular deviation	$\pm 45^\circ$ from the perpendicular to the sheet
material	brass sleeve, nickel-plated, plastic parts, PBT, PA
ultrasonic transducer	polyurethane foam, epoxy resin with glass contents
max. tightening torque of nuts	15 Nm
class of protection to EN 60529	IP 65
operating temperature	+5°C to +60°C
storage temperature	-40°C to +85°C
weight	100 g
further versions	90° angular head swapped-out transmitter/receiver different cable length
further versions	dbk+4/Empf/WK/3CDD/ M18 dbk+4/Empf/M18/3CDD/ M18 dbk+4/Empf/3CDD/M18/ K7K2

dbk+4/Empf/3CDD/M18

technical features/characteristics

controls	control input
scope for settings	working range selection via control inputs Teach-in via control inputs LCA-2 with LinkControl
indicators	1 x Duo-LED; green: working / red: double sheet / flashing red: missing sheet
particularities	receiver for ultrasonic double sheet control distance between transmitter and receiver can be selected cable connection

pin assignment



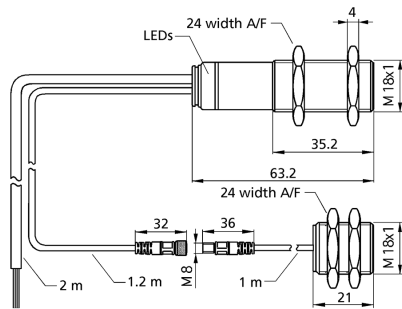
order no.

dbk+4/Empf/3CDD/M18

The content of this document is subject to technical changes.
Specifications in this document are presented in a descriptive way
only. They do not warrant any product features.

dbk+4/3BEE/M18 E+S

scale drawing



detection zone



2 x npn

working range	papers with weights of 20 - 2,000 g/m ² , Washi, metal-laminated sheets and films up to 0.4 mm thick, self-adhesive films, sheet metals up to 0.3 mm thick, fine corrugated card, wafers, PCBs
design	cylindrical M18
operating mode	double sheet control
particularities	distance between transmitter and receiver can be selected cable connection

ultrasonic-specific

means of measurement	pulse operation with amplitude evaluation
transducer frequency	400 kHz
blind zone	7 mm in front of transmitter and receiver

electrical data

operating voltage U _B	20 - 30 V d.c., reverse polarity protection
voltage ripple	± 10 %
no-load current consumption	≤ 50 mA
type of connection	2 m PUR cable, 7 x 0.14 mm ²
transmitter cable	at the receiver: 1.2 m PUR cable, at the transmitter: 1 m PUR cable with M8 initiator plug

dbk+4/3BEE/M18 E+S

outputs

output 1	double sheet output npn: $I_{\max} = 200 \text{ mA}$ ($-U_B+2V$) NOC/NCC adjustable, short-circuit-proof
output 2	missing sheet output npn: $I_{\max} = 200 \text{ mA}$ ($-U_B+2V$) NOC/NCC adjustable, short-circuit-proof
response time	< 500 μs in trigger mode, 2.5 ms in free-run mode
delay prior to availability	< 750 ms

inputs

description	< $-U_B+6 \text{ V}$: logic 1; > $-U_B+10 \text{ V}$ or control input open: logic 0
input 1	control input
input 2	control input
input 3	control input

housing

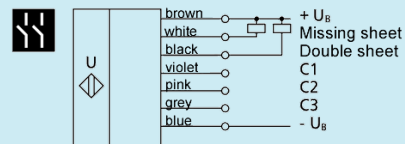
transmitter/receiver spacing	20 - 60 mm; optimal: 40 mm \pm 3 mm
permissible angular deviation	$\pm 45^\circ$ from the perpendicular to the sheet
material	brass sleeve, nickel-plated, plastic parts, PBT, PA
ultrasonic transducer	polyurethane foam, epoxy resin with glass contents
max. tightening torque of nuts	15 Nm
class of protection to EN 60529	IP 65
operating temperature	+5°C to +60°C
storage temperature	-40°C to +85°C
weight	130 g
further versions	90° angular head swapped-out transmitter/receiver single transmitter/receiver
further versions	dbk+4/WK/3BEE/M18 E+S dbk+4/M18/3BEE/M18 E+S dbk+4/Sender/M18/K1 dbk+4/Empf/3BEE/M18

dbk+4/3BEE/M18 E+S

technical features/characteristics

controls	control input
scope for settings	working range selection via control inputs Teach-in via control inputs LCA-2 with LinkControl
indicators	1 x Duo-LED; green: working / red: double sheet / flashing red: missing sheet
particularities	distance between transmitter and receiver can be selected cable connection

pin assignment



order no.

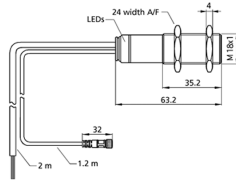
dbk+4/3BEE/M18 E+S

The content of this document is subject to technical changes.
Specifications in this document are presented in a descriptive way
only. They do not warrant any product features.

dbk+4/Empf/3BEE/M18

scale drawing

detection zone



2 x npn

working range	papers with weights of 20 - 2,000 g/m ² , Washi, metal-laminated sheets and films up to 0.4 mm thick, self-adhesive films, sheet metals up to 0.3 mm thick, fine corrugated card, wafers, PCBs
design	cylindrical M18
operating mode	double sheet control
particularities	receiver for ultrasonic double sheet control distance between transmitter and receiver can be selected cable connection

ultrasonic-specific

means of measurement	pulse operation with amplitude evaluation
transducer frequency	400 kHz
blind zone	7 mm in front of transmitter and receiver

electrical data

operating voltage U _b	20 - 30 V d.c., reverse polarity protection
voltage ripple	± 10 %
no-load current consumption	≤ 50 mA
type of connection	2 m PUR cable, 7 x 0.14 mm ²
transmitter cable	1.2 m PUR cable with M8 initiator plug

dbk+4/Empf/3BEE/M18

outputs

output 1	double sheet output npn: $I_{\max} = 200 \text{ mA}$ ($-U_B+2V$) NOC/NCC adjustable, short-circuit-proof
output 2	missing sheet output npn: $I_{\max} = 200 \text{ mA}$ ($-U_B+2V$) NOC/NCC adjustable, short-circuit-proof
response time	< 500 μs in trigger mode, 2.5 ms in free-run mode
delay prior to availability	< 750 ms

inputs

description	< $-U_B+6 \text{ V}$: logic 1; > $-U_B+10 \text{ V}$ or control input open: logic 0
input 1	control input
input 2	control input
input 3	control input

housing

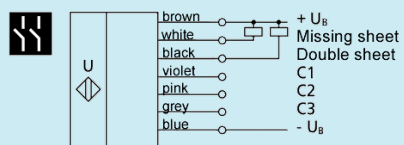
transmitter/receiver spacing	20 - 60 mm; optimal: 40 mm \pm 3 mm
permissible angular deviation	$\pm 45^\circ$ from the perpendicular to the sheet
material	brass sleeve, nickel-plated, plastic parts, PBT, PA
ultrasonic transducer	polyurethane foam, epoxy resin with glass contents
max. tightening torque of nuts	15 Nm
class of protection to EN 60529	IP 65
operating temperature	+5°C to +60°C
storage temperature	-40°C to +85°C
weight	100 g
further versions	90°-Winkelkopf ausgelagerter Sender/Empfänger
further versions	dbk+4/Empf/WK/3BEE/ M18 dbk+4/Empf/M18/3BEE/ M18

technical features/characteristics

controls	control input
scope for settings	working range selection via control inputs Teach-in via control inputs LCA-2 with LinkControl
indicators	1 x Duo-LED; green: working / red: double sheet / flashing red: missing sheet
particularities	receiver for ultrasonic double sheet control distance between transmitter and receiver can be selected cable connection

dbk+4/Empf/3BEE/M18

pin assignment



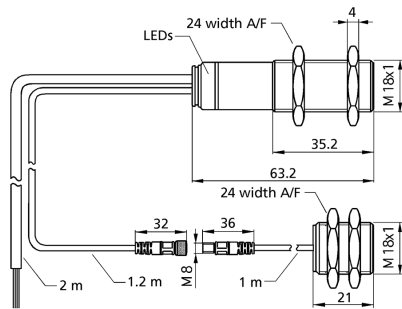
order no.

dbk+4/Empf/3BEE/M18

The content of this document is subject to technical changes.
Specifications in this document are presented in a descriptive way
only. They do not warrant any product features.

dbk+4/3CDD/M18 E+S

scale drawing



detection zone



2 x pnp

working range	papers with weights of 20 - 2,000 g/m ² , Washi, metal-laminated sheets and films up to 0.4 mm thick, self-adhesive films, sheet metals up to 0.3 mm thick, fine corrugated card, wafers, PCBs
design	cylindrical M18
operating mode	double sheet control
particularities	distance between transmitter and receiver can be selected cable connection

ultrasonic-specific

means of measurement	pulse operation with amplitude evaluation
transducer frequency	400 kHz
blind zone	7 mm in front of transmitter and receiver

electrical data

operating voltage U_B	20 - 30 V d.c., reverse polarity protection
voltage ripple	± 10 %
no-load current consumption	≤ 50 mA
type of connection	2 m PUR cable, 7 x 0.14 mm ²
transmitter cable	at the receiver: 1.2 m PUR cable, at the transmitter: 1 m PUR cable with M8 initiator plug

dbk+4/3CDD/M18 E+S

outputs

output 1	double sheet output pnp: $I_{\max} = 200 \text{ mA}$ ($U_B - 2\text{V}$) NOC/NCC adjustable, short-circuit-proof
output 2	missing sheet output pnp: $I_{\max} = 200 \text{ mA}$ ($U_B - 2\text{V}$) NOC/NCC adjustable, short-circuit-proof
response time	< 500 μs in trigger mode, 2.5 ms in free-run mode
delay prior to availability	< 300 ms

inputs

description	< $-U_B + 18 \text{ V}$: logic 1; > $-U_B + 13 \text{ V}$ or control input open: logic 0
input 1	control input
input 2	control input
input 3	control input

housing

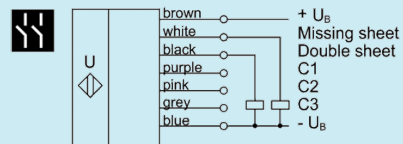
transmitter/receiver spacing	20 - 60 mm; optimal: 40 mm \pm 3 mm
permissible angular deviation	$\pm 45^\circ$ from the perpendicular to the sheet
material	brass sleeve, nickel-plated, plastic parts, PBT, PA
ultrasonic transducer	polyurethane foam, epoxy resin with glass contents
max. tightening torque of nuts	15 Nm
class of protection to EN 60529	IP 65
operating temperature	+5°C to +60°C
storage temperature	-40°C to +85°C
weight	130 g
further versions	90° angular head swapped-out transmitter/receiver single transmitter/receiver
further versions	dbk+4/WK/3CDD/M18 E+S dbk+4/M18/3CDD/M18 E+S dbk+4/Sender/M18/K1 dbk+4/Empf/3CDD/M18

dbk+4/3CDD/M18 E+S

technical features/characteristics

controls	control input
scope for settings	working range selection via control inputs Teach-in via control inputs LCA-2 with LinkControl
indicators	1 x Duo-LED; green: working / red: double sheet / flashing red: missing sheet
particularities	distance between transmitter and receiver can be selected cable connection

pin assignment



order no.

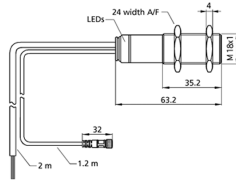
dbk+4/3CDD/M18 E+S

The content of this document is subject to technical changes.
Specifications in this document are presented in a descriptive way
only. They do not warrant any product features.

dbk+4/Empf/3CDD/M18/ K7K2

scale drawing

detection zone



2 x pnp

working range	papers with weights of 20 - 2,000 g/m ² , Washi, metal-laminated sheets and films up to 0.4 mm thick, self-adhesive films, sheet metals up to 0.3 mm thick, fine corrugated card, wafers, PCBs
design	cylindrical M18
operating mode	double sheet control
particularities	receiver für ultrasonic-double sheet control distance between transmitter and receiver can be selected long connection cable

ultrasonic-specific

means of measurement	pulse operation with amplitude evaluation
transducer frequency	400 kHz
blind zone	7 mm in front of transmitter and receiver

electrical data

operating voltage U _b	20 - 30 V d.c., reverse polarity protection
voltage ripple	± 10 %
no-load current consumption	≤ 50 mA
type of connection	2 m PUR cable, 7 x 0.14 mm ²
transmitter cable	2.3 m PUR cable with M8 initiator plug

dbk+4/Empf/3CDD/M18/ K7K2

outputs

output 1	double sheet output pnp: $I_{\max} = 200 \text{ mA}$ ($U_B - 2\text{V}$) NOC/NCC adjustable, short-circuit-proof
output 2	missing sheet output pnp: $I_{\max} = 200 \text{ mA}$ ($U_B - 2\text{V}$) NOC/NCC adjustable, short-circuit-proof
response time	< 500 μs in trigger mode, 2.5 ms in free-run mode
delay prior to availability	< 300 ms

inputs

description	< $-U_B + 18 \text{ V}$: logic 1; > $-U_B + 13 \text{ V}$ or control input open: logic 0
input 1	control input
input 2	control input
input 3	control input

housing

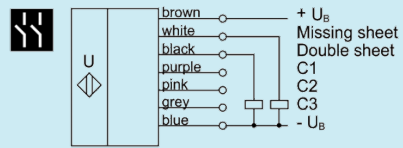
transmitter/receiver spacing	20 - 60 mm; optimal: 40 mm \pm 3 mm
permissible angular deviation	$\pm 45^\circ$ from the perpendicular to the sheet
material	brass sleeve, nickel-plated, plastic parts, PBT, PA
ultrasonic transducer	polyurethane foam, epoxy resin with glass contents
max. tightening torque of nuts	15 Nm
class of protection to EN 60529	IP 65
operating temperature	+5°C to +60°C
storage temperature	-40°C to +85°C
weight	100 g
further versions	90°-Winkelkopf ausgelagerter Sender/Empfänger

technical features/characteristics

controls	control input
scope for settings	working range selection via control inputs Teach-in via control inputs LCA-2 with LinkControl
indicators	1 x Duo-LED; green: working / red: double sheet / flashing red: missing sheet
particularities	receiver für ultrasonic-double sheet control distance between transmitter and receiver can be selected long connection cable

dbk+4/Empf/3CDD/M18/ K7K2

pin assignment



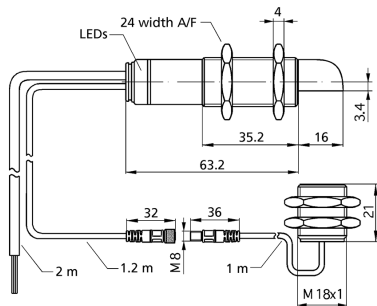
order no.

dbk+4/Empf/3CDD/M18/ K7K2

The content of this document is subject to technical changes.
Specifications in this document are presented in a descriptive way
only. They do not warrant any product features.

dbk+4/WK/3CDD/M18 E+S

scale drawing



detection zone



2 x pnp

working range	papers with weights of 20 - 2,000 g/m ² , Washi, metal-laminated sheets and films up to 0.4 mm thick, self-adhesive films, sheet metals up to 0.3 mm thick, fine corrugated card, wafers, PCBs
design	cylindrical M18 with radially-arranged ultrasonic transducer (90° angular head)
operating mode	double sheet control
particularities	distance between transmitter and receiver can be selected 90° angular head cable connection

ultrasonic-specific

means of measurement	pulse operation with amplitude evaluation
transducer frequency	400 kHz
blind zone	7 mm in front of transmitter and receiver

electrical data

operating voltage U_b	20 - 30 V d.c., reverse polarity protection
voltage ripple	± 10 %
no-load current consumption	≤ 50 mA
type of connection	2 m PUR cable, 7 x 0.14 mm ²
transmitter cable	at the receiver: 1.2 m PUR cable, at the transmitter: 1 m PUR cable with M8 initiator plug

dbk+4/WK/3CDD/M18 E+S

outputs

output 1	double sheet output pnp: $I_{\max} = 200 \text{ mA}$ ($U_B - 2\text{V}$) NOC/NCC adjustable, short-circuit-proof
output 2	missing sheet output pnp: $I_{\max} = 200 \text{ mA}$ ($U_B - 2\text{V}$) NOC/NCC adjustable, short-circuit-proof
response time	< 500 μs in trigger mode, 2.5 ms in free-run mode
delay prior to availability	< 300 ms

inputs

description	< $-U_B + 18 \text{ V}$: logic 1; > $-U_B + 13 \text{ V}$ or control input open: logic 0
input 1	control input
input 2	control input
input 3	control input

housing

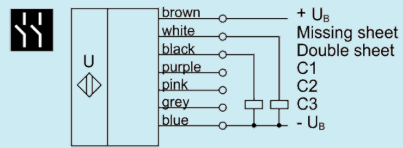
transmitter/receiver spacing	20 - 60 mm; optimal: 40 mm \pm 3 mm
permissible angular deviation	$\pm 45^\circ$ from the perpendicular to the sheet
material	brass sleeve, nickel-plated, plastic parts, PBT, PA
ultrasonic transducer	polyurethane foam, epoxy resin with glass contents
max. tightening torque of nuts	15 Nm
class of protection to EN 60529	IP 65
operating temperature	+5°C to +60°C
storage temperature	-40°C to +85°C
weight	130 g
further versions	single transmitter/receiver
further versions	dbk+4/Sender/M18/K1 dbk+4/Empf/WK/3CDD/ M18

technical features/characteristics

controls	control input
scope for settings	working range selection via control inputs Teach-in via control inputs LCA-2 with LinkControl
indicators	1 x Duo-LED; green: working / red: double sheet / flashing red: missing sheet
particularities	distance between transmitter and receiver can be selected 90° angular head cable connection

dbk+4/WK/3CDD/M18 E+S

pin assignment



order no.

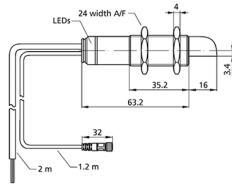
dbk+4/WK/3CDD/M18 E+S

The content of this document is subject to technical changes.
Specifications in this document are presented in a descriptive way
only. They do not warrant any product features.

dbk+4/Empf/WK/3CDD/ M18

scale drawing

detection zone



2 x pnp

working range	papers with weights of 20 - 2,000 g/m ² , Washi, metal-laminated sheets and films up to 0.4 mm thick, self-adhesive films, sheet metals up to 0.3 mm thick, fine corrugated card, wafers, PCBs
design	cylindrical M18 with radially-arranged ultrasonic transducer (90° angular head)
operating mode	double sheet control
particularities	receiver für ultrasonic-double sheet control distance between transmitter and receiver can be selected 90° angular head cable connection

ultrasonic-specific

means of measurement	pulse operation with amplitude evaluation
transducer frequency	400 kHz
blind zone	7 mm in front of transmitter and receiver

electrical data

operating voltage U _B	20 - 30 V d.c., reverse polarity protection
voltage ripple	± 10 %
no-load current consumption	≤ 50 mA
type of connection	2 m PUR cable, 7 x 0.14 mm ²
transmitter cable	1.2 m PUR cable with M8 initiator plug

dbk+4/Empf/WK/3CDD/ M18

outputs

output 1	double sheet output pnp: $I_{\max} = 200 \text{ mA}$ ($U_B - 2\text{V}$) NOC/NCC adjustable, short-circuit-proof
output 2	missing sheet output pnp: $I_{\max} = 200 \text{ mA}$ ($U_B - 2\text{V}$) NOC/NCC adjustable, short-circuit-proof
response time	< 500 μs in trigger mode, 2.5 ms in free-run mode
delay prior to availability	< 300 ms

inputs

description	< $-U_B + 18 \text{ V}$: logic 1; > $-U_B + 13 \text{ V}$ or control input open: logic 0
input 1	control input
input 2	control input
input 3	control input

housing

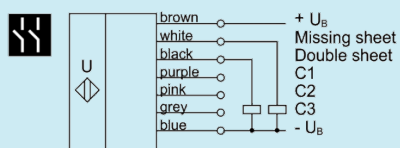
transmitter/receiver spacing	20 - 60 mm; optimal: 40 mm \pm 3 mm
permissible angular deviation	$\pm 45^\circ$ from the perpendicular to the sheet
material	brass sleeve, nickel-plated, plastic parts, PBT, PA
ultrasonic transducer	polyurethane foam, epoxy resin with glass contents
max. tightening torque of nuts	15 Nm
class of protection to EN 60529	IP 65
operating temperature	+5°C to +60°C
storage temperature	-40°C to +85°C
weight	100 g

technical features/characteristics

controls	control input
scope for settings	working range selection via control inputs Teach-in via control inputs LCA-2 with LinkControl
indicators	1 x Duo-LED; green: working / red: double sheet / flashing red: missing sheet
particularities	receiver für ultrasonic-double sheet control distance between transmitter and receiver can be selected 90° angular head cable connection

dbk+4/Empf/WK/3CDD/ M18

pin assignment



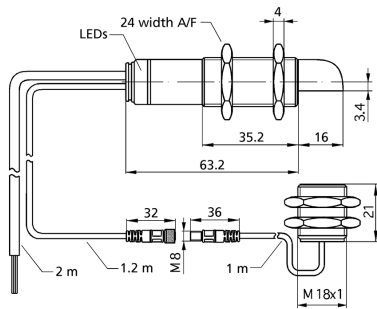
order no.

dbk+4/Empf/WK/3CDD/ M18

The content of this document is subject to technical changes.
Specifications in this document are presented in a descriptive way
only. They do not warrant any product features.

dbk+4/WK/3BEE/M18 E+S

scale drawing



detection zone



2 x npn

working range	papers with weights of 20 - 2,000 g/m ² , Washi, metal-laminated sheets and films up to 0.4 mm thick, self-adhesive films, sheet metals up to 0.3 mm thick, fine corrugated card, wafers, PCBs
design	cylindrical M18 with radially-arranged ultrasonic transducer (90° angular head)
operating mode	double sheet control
particularities	distance between transmitter and receiver can be selected 90° angular head cable connection

ultrasonic-specific

means of measurement	pulse operation with amplitude evaluation
transducer frequency	400 kHz
blind zone	7 mm in front of transmitter and receiver

electrical data

operating voltage U _b	20 - 30 V d.c., reverse polarity protection
voltage ripple	± 10 %
no-load current consumption	≤ 50 mA
type of connection	2 m PUR cable, 7 x 0.14 mm ²
transmitter cable	at the receiver: 1.2 m PUR cable, at the transmitter: 1 m PUR cable with M8 initiator plug

dbk+4/WK/3BEE/M18 E+S

outputs

output 1	double sheet output npn: $I_{\max} = 200 \text{ mA}$ ($-U_B+2V$) NOC/NCC adjustable, short-circuit-proof
output 2	missing sheet output npn: $I_{\max} = 200 \text{ mA}$ ($-U_B+2V$) NOC/NCC adjustable, short-circuit-proof
response time	< 500 μs in trigger mode, 2.5 ms in free-run mode
delay prior to availability	< 750 ms

inputs

description	< $-U_B+6 \text{ V}$: logic 1; > $-U_B+10 \text{ V}$ or control input open: logic 0
input 1	control input
input 2	control input
input 3	control input

housing

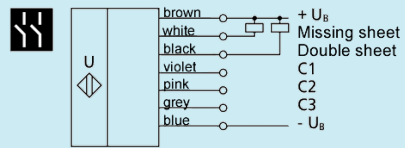
transmitter/receiver spacing	20 - 60 mm; optimal: 40 mm \pm 3 mm
permissible angular deviation	$\pm 45^\circ$ from the perpendicular to the sheet
material	brass sleeve, nickel-plated, plastic parts, PBT, PA
ultrasonic transducer	polyurethane foam, epoxy resin with glass contents
max. tightening torque of nuts	15 Nm
class of protection to EN 60529	IP 65
operating temperature	+5°C to +60°C
storage temperature	-40°C to +85°C
weight	130 g
further versions	single transmitter/receiver
further versions	dbk+4/Sender/M18/K1 dbk+4/Empf/WK/3BEE/ M18

technical features/characteristics

controls	control input
scope for settings	working range selection via control inputs Teach-in via control inputs LCA-2 with LinkControl
indicators	1 x Duo-LED; green: working / red: double sheet / flashing red: missing sheet
particularities	distance between transmitter and receiver can be selected 90° angular head cable connection

dbk+4/WK/3BEE/M18 E+S

pin assignment



order no.

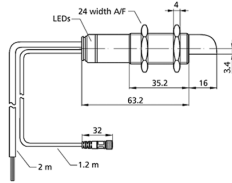
dbk+4/WK/3BEE/M18 E+S

The content of this document is subject to technical changes.
Specifications in this document are presented in a descriptive way
only. They do not warrant any product features.

dbk+4/Empf/WK/3BEE/ M18

scale drawing

detection zone



2 x npn

working range	papers with weights of 20 - 2,000 g/m ² , Washi, metal-laminated sheets and films up to 0.4 mm thick, self-adhesive films, sheet metals up to 0.3 mm thick, fine corrugated card, wafers, PCBs
design	cylindrical M18 with radially-arranged ultrasonic transducer (90° angular head)
operating mode	double sheet control
particularities	receiver für ultrasonic-double sheet control distance between transmitter and receiver can be selected 90° angular head cable connection

ultrasonic-specific

means of measurement	pulse operation with amplitude evaluation
transducer frequency	400 kHz
blind zone	7 mm in front of transmitter and receiver

electrical data

operating voltage U _B	20 - 30 V d.c., reverse polarity protection
voltage ripple	± 10 %
no-load current consumption	≤ 50 mA
type of connection	2 m PUR cable, 7 x 0.14 mm ²
transmitter cable	1.2 m PUR cable with M8 initiator plug

dbk+4/Empf/WK/3BEE/ M18

outputs

output 1	double sheet output npn: $I_{\max} = 200 \text{ mA}$ ($-U_B+2V$) NOC/NCC adjustable, short-circuit-proof
output 2	missing sheet output npn: $I_{\max} = 200 \text{ mA}$ ($-U_B+2V$) NOC/NCC adjustable, short-circuit-proof
response time	< 500 μs in trigger mode, 2.5 ms in free-run mode
delay prior to availability	< 750 ms

inputs

description	< $-U_B+6 \text{ V}$: logic 1; > $-U_B+10 \text{ V}$ or control input open: logic 0
input 1	control input
input 2	control input
input 3	control input

housing

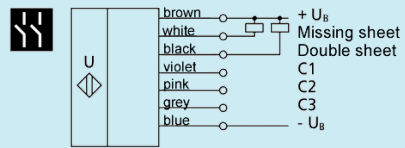
transmitter/receiver spacing	20 - 60 mm; optimal: 40 mm \pm 3 mm
permissible angular deviation	$\pm 45^\circ$ from the perpendicular to the sheet
material	brass sleeve, nickel-plated, plastic parts, PBT, PA
ultrasonic transducer	polyurethane foam, epoxy resin with glass contents
max. tightening torque of nuts	15 Nm
class of protection to EN 60529	IP 65
operating temperature	+5°C to +60°C
storage temperature	-40°C to +85°C
weight	100 g

technical features/characteristics

controls	control input
scope for settings	working range selection via control inputs Teach-in via control inputs LCA-2 with LinkControl
indicators	1 x Duo-LED; green: working / red: double sheet / flashing red: missing sheet
particularities	receiver für ultrasonic-double sheet control distance between transmitter and receiver can be selected 90° angular head cable connection

dbk+4/Empf/WK/3BEE/ M18

pin assignment



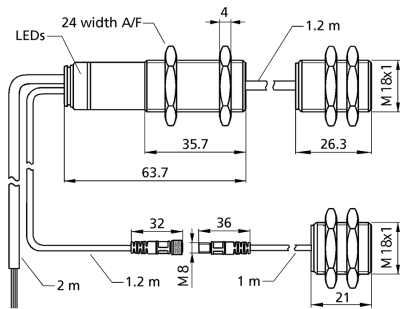
order no.

dbk+4/Empf/WK/3BEE/ M18

The content of this document is subject to technical changes.
Specifications in this document are presented in a descriptive way
only. They do not warrant any product features.

dbk+4/M18/3BEE/M18 E+S

scale drawing



detection zone



2 x npn

working range	papers with weights of 20 - 2,000 g/m ² , Washi, metal-laminated sheets and films up to 0.4 mm thick, self-adhesive films, sheet metals up to 0.3 mm thick, fine corrugated card, wafers, PCBs
design	cylindrical M18 with a swapped-out ultrasonic transducer
operating mode	double sheet control
particularities	distance between transmitter and receiver can be selected swapped-out ultrasonic transducer cable connection

ultrasonic-specific

means of measurement	pulse operation with amplitude evaluation
transducer frequency	400 kHz
blind zone	7 mm in front of transmitter and receiver

electrical data

operating voltage U _b	20 - 30 V d.c., reverse polarity protection
voltage ripple	± 10 %
no-load current consumption	≤ 50 mA
type of connection	2 m PUR cable, 7 x 0.14 mm ²
transmitter cable	am Empfänger: 1,2 m PUR-Kabel, am Sender: 1 m PUR-Kabel, mit M8 Rundsteckverbinder; zum ausgelagerten Empfangswandler: 1,2 m PVC-Kabel

dbk+4/M18/3BEE/M18 E+S

outputs

output 1	double sheet output npn: $I_{\max} = 200 \text{ mA}$ ($-U_B+2V$) NOC/NCC adjustable, short-circuit-proof
output 2	missing sheet output npn: $I_{\max} = 200 \text{ mA}$ ($-U_B+2V$) NOC/NCC adjustable, short-circuit-proof
response time	< 500 μs in trigger mode, 2.5 ms in free-run mode
delay prior to availability	< 750 ms

inputs

description	< $-U_B+6 \text{ V}$: logic 1; > $-U_B+10 \text{ V}$ or control input open: logic 0
input 1	control input
input 2	control input
input 3	control input

housing

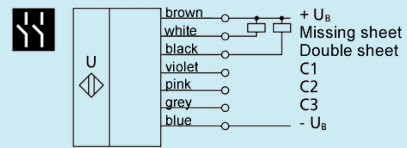
transmitter/receiver spacing	20 - 60 mm; optimal: 40 mm \pm 3 mm
permissible angular deviation	$\pm 45^\circ$ from the perpendicular to the sheet
material	brass sleeve, nickel-plated, plastic parts, PBT, PA
ultrasonic transducer	polyurethane foam, epoxy resin with glass contents
max. tightening torque of nuts	15 Nm
class of protection to EN 60529	IP 65
operating temperature	+5°C to +60°C
storage temperature	-40°C to +85°C
weight	165 g
further versions	single transmitter/receiver
further versions	dbk+4/Sender/M18/K1 dbk+4/Empf/M18/3BEE/ M18

technical features/characteristics

controls	control input
scope for settings	working range selection via control inputs Teach-in via control inputs LCA-2 with LinkControl
indicators	1 x Duo-LED; green: working / red: double sheet / flashing red: missing sheet
particularities	distance between transmitter and receiver can be selected swapped-out ultrasonic transducer cable connection

dbk+4/M18/3BEE/M18 E+S

pin assignment



order no.

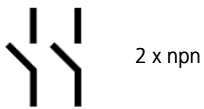
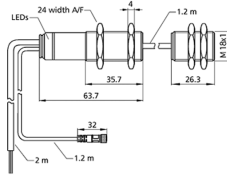
dbk+4/M18/3BEE/M18 E+S

The content of this document is subject to technical changes.
Specifications in this document are presented in a descriptive way
only. They do not warrant any product features.

dbk+4/Empf/M18/3BEE/ M18

scale drawing

detection zone



working range	papers with weights of 20 - 2,000 g/m ² , Washi, metal-laminated sheets and films up to 0.4 mm thick, self-adhesive films, sheet metals up to 0.3 mm thick, fine corrugated card, wafers, PCBs
design	cylindrical M18 with a swapped-out ultrasonic transducer
operating mode	double sheet control
particularities	receiver for ultrasonic double sheet control distance between transmitter and receiver can be selected swapped-out ultrasonic transducer cable connection

ultrasonic-specific

means of measurement	pulse operation with amplitude evaluation
transducer frequency	400 kHz
blind zone	7 mm in front of transmitter and receiver

electrical data

operating voltage U _b	20 - 30 V d.c., reverse polarity protection
voltage ripple	± 10 %
no-load current consumption	≤ 50 mA
type of connection	2 m PUR cable, 7 x 0.14 mm ²
transmitter cable	1 m PUR cable with M8 initiator plug to the transmitter, 1.2 m PVC cable to the swapped out receiver

dbk+4/Empf/M18/3BEE/ M18

outputs

output 1	double sheet output npn: $I_{\max} = 200 \text{ mA}$ ($-U_B+2V$) NOC/NCC adjustable, short-circuit-proof
output 2	missing sheet output npn: $I_{\max} = 200 \text{ mA}$ ($-U_B+2V$) NOC/NCC adjustable, short-circuit-proof
response time	< 500 μs in trigger mode, 2.5 ms in free-run mode
delay prior to availability	< 750 ms

inputs

description	< $-U_B+6 \text{ V}$: logic 1; > $-U_B+10 \text{ V}$ or control input open: logic 0
input 1	control input
input 2	control input
input 3	control input

housing

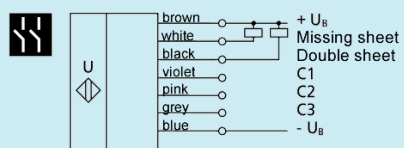
transmitter/receiver spacing	20 - 60 mm; optimal: 40 mm \pm 3 mm
permissible angular deviation	$\pm 45^\circ$ from the perpendicular to the sheet
material	brass sleeve, nickel-plated, plastic parts, PBT, PA
ultrasonic transducer	polyurethane foam, epoxy resin with glass contents
max. tightening torque of nuts	15 Nm
class of protection to EN 60529	IP 65
operating temperature	+5°C to +60°C
storage temperature	-40°C to +85°C
weight	135 g

technical features/characteristics

controls	control input
scope for settings	working range selection via control inputs Teach-in via control inputs LCA-2 with LinkControl
indicators	1 x Duo-LED; green: working / red: double sheet / flashing red: missing sheet
particularities	receiver for ultrasonic double sheet control distance between transmitter and receiver can be selected swapped-out ultrasonic transducer cable connection

dbk+4/Empf/M18/3BEE/ M18

pin assignment



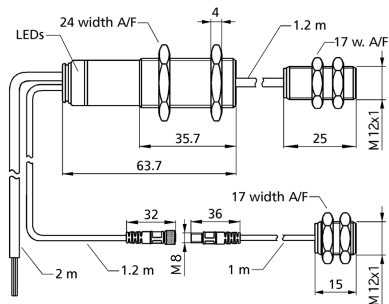
order no.

dbk+4/Empf/M18/3BEE/ M18

The content of this document is subject to technical changes.
Specifications in this document are presented in a descriptive way
only. They do not warrant any product features.

dbk+4/M12/3BEE/M18 E+S

scale drawing



detection zone



2 x npn

working range	papers with weights of 20 - 600 g/m ² , Washi, metal-laminated sheets and films up to 0.2 mm thick, self-adhesive films
design	cylindrical M12 with a swapped-out ultrasonic transducer
operating mode	double sheet control
particularities	distance between transmitter and receiver can be selected swapped-out ultrasonic transducer M12 cable connection

ultrasonic-specific

means of measurement	pulse operation with amplitude evaluation
transducer frequency	500 kHz
blind zone	5 mm in front of transmitter and receiver

electrical data

operating voltage U _b	9 - 30 V d.c., reverse polarity protection
voltage ripple	± 10 %
no-load current consumption	≤ 50 mA
type of connection	2 m PUR cable, 7 x 0.14 mm ²
transmitter cable	am Empfänger: 1,2 m PUR-Kabel, am Sender: 1 m PUR-Kabel, mit M8 Rundsteckverbinder; zum ausgelagerten Empfangswandler: 1,2 m PVC-Kabel

dbk+4/M12/3BEE/M18 E+S

outputs

output 1	double sheet output npn: $I_{\max} = 200 \text{ mA}$ ($-U_B+2V$) NOC/NCC adjustable, short-circuit-proof
output 2	missing sheet output npn: $I_{\max} = 200 \text{ mA}$ ($-U_B+2V$) NOC/NCC adjustable, short-circuit-proof
response time	< 500 μs in trigger mode, 2.5 ms in free-run mode
delay prior to availability	< 750 ms

inputs

description	< $-U_B+6 \text{ V}$: logic 1; > $-U_B+10 \text{ V}$ or control input open: logic 0
input 1	control input
input 2	control input
input 3	control input

housing

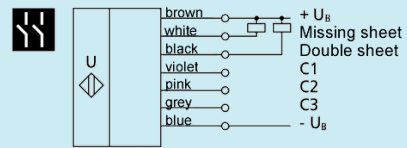
transmitter/receiver spacing	20 - 40 mm; optimal: 20 mm \pm 2 mm
permissible angular deviation	$\pm 45^\circ$ from the perpendicular to the sheet
material	brass sleeve, nickel-plated, plastic parts, PBT, PA
ultrasonic transducer	polyurethane foam, epoxy resin with glass contents
max. tightening torque of nuts	M18: 15 Nm, M12: 3 Nm
class of protection to EN 60529	IP 65
operating temperature	+5°C to +60°C
storage temperature	-40°C to +85°C
weight	160 g
further versions	single transmitter/receiver
further versions	dbk+4/Sender/ M12/K1 dbk+4/Empf/M12/3BEE/ M18

technical features/characteristics

controls	control input
scope for settings	working range selection via control inputs Teach-in via control inputs LCA-2 with LinkControl
indicators	1 x Duo-LED; green: working / red: double sheet / flashing red: missing sheet
particularities	distance between transmitter and receiver can be selected swapped-out ultrasonic transducer M12 cable connection

dbk+4/M12/3BEE/M18 E+S

pin assignment



order no.

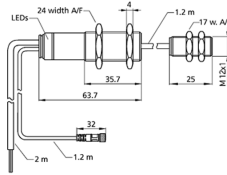
dbk+4/M12/3BEE/M18 E+S

The content of this document is subject to technical changes.
Specifications in this document are presented in a descriptive way
only. They do not warrant any product features.

dbk+4/Empf/M12/3BEE/ M18

scale drawing

detection zone



2 x npn

working range	papers with weights of 20 - 600 g/m ² , Washi, metal-laminated sheets and films up to 0.2 mm thick, self-adhesive films
design	cylindrical M12 with a swapped-out ultrasonic transducer
operating mode	double sheet control
particularities	receiver for ultrasonic double sheet control distance between transmitter and receiver can be selected swapped-out ultrasonic transducer M12 cable connection

ultrasonic-specific

means of measurement	pulse operation with amplitude evaluation
transducer frequency	500 kHz
blind zone	5 mm in front of transmitter and receiver

electrical data

operating voltage U _b	20 - 30 V d.c., reverse polarity protection
voltage ripple	± 10 %
no-load current consumption	≤ 50 mA
type of connection	2 m PUR cable, 7 x 0.14 mm ²
transmitter cable	1 m PUR cable with M8 initiator plug to the transmitter, 1.2 m PVC cable to the swapped out receiver

dbk+4/Empf/M12/3BEE/ M18

outputs

output 1	double sheet output npn: $I_{\max} = 200 \text{ mA}$ ($-U_B+2V$) NOC/NCC adjustable, short-circuit-proof
output 2	missing sheet output npn: $I_{\max} = 200 \text{ mA}$ ($-U_B+2V$) NOC/NCC adjustable, short-circuit-proof
response time	< 500 μs in trigger mode, 2.5 ms in free-run mode
delay prior to availability	< 750 ms

inputs

description	< $-U_B+6 \text{ V}$: logic 1; > $-U_B+10 \text{ V}$ or control input open: logic 0
input 1	control input
input 2	control input
input 3	control input

housing

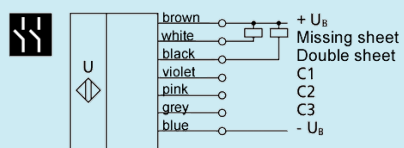
transmitter/receiver spacing	20 - 40 mm; optimal: 20 mm \pm 2 mm
permissible angular deviation	$\pm 45^\circ$ from the perpendicular to the sheet
material	brass sleeve, nickel-plated, plastic parts, PBT, PA
ultrasonic transducer	polyurethane foam, epoxy resin with glass contents
max. tightening torque of nuts	M18: 15 Nm, M12: 3 Nm
class of protection to EN 60529	IP 65
operating temperature	+5°C to +60°C
storage temperature	-40°C to +85°C
weight	140 g

technical features/characteristics

controls	control input
scope for settings	working range selection via control inputs Teach-in via control inputs LCA-2 with LinkControl
indicators	1 x Duo-LED; green: working / red: double sheet / flashing red: missing sheet
particularities	receiver for ultrasonic double sheet control distance between transmitter and receiver can be selected swapped-out ultrasonic transducer M12 cable connection

dbk+4/Empf/M12/3BEE/ M18

pin assignment



order no.

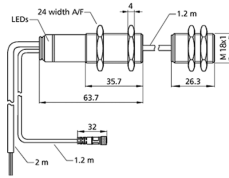
dbk+4/Empf/M12/3BEE/ M18

The content of this document is subject to technical changes.
Specifications in this document are presented in a descriptive way
only. They do not warrant any product features.

dbk+4/Empf/M18/3CDD/ M18

scale drawing

detection zone



2 x pnp

working range	papers with weights of 20 - 2,000 g/m ² , Washi, metal-laminated sheets and films up to 0.4 mm thick, self-adhesive films, sheet metals up to 0.3 mm thick, fine corrugated card, wafers, PCBs
design	cylindrical M18 with a swapped-out ultrasonic transducer
operating mode	double sheet control
particularities	receiver for ultrasonic double sheet control distance between transmitter and receiver can be selected swapped-out ultrasonic transducer cable connection

ultrasonic-specific

means of measurement	pulse operation with amplitude evaluation
transducer frequency	400 kHz
blind zone	7 mm in front of transmitter and receiver

electrical data

operating voltage U _b	20 - 30 V d.c., reverse polarity protection
voltage ripple	± 10 %
no-load current consumption	≤ 50 mA
type of connection	2 m PUR cable, 7 x 0.14 mm ²
transmitter cable	1 m PUR cable with M8 initiator plug to the transmitter, 1.2 m PVC cable to the swapped out receiver

dbk+4/Empf/M18/3CDD/ M18

outputs

output 1	double sheet output pnp: $I_{\max} = 200 \text{ mA}$ ($U_B - 2\text{V}$) NOC/NCC adjustable, short-circuit-proof
output 2	missing sheet output pnp: $I_{\max} = 200 \text{ mA}$ ($U_B - 2\text{V}$) NOC/NCC adjustable, short-circuit-proof
response time	< 500 μs in trigger mode, 2.5 ms in free-run mode
delay prior to availability	< 300 ms

inputs

description	< $-U_B + 18 \text{ V}$: logic 1; > $-U_B + 13 \text{ V}$ or control input open: logic 0
input 1	control input
input 2	control input
input 3	control input

housing

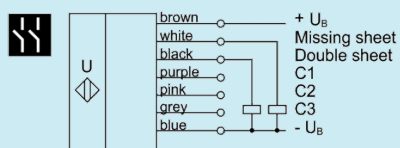
transmitter/receiver spacing	20 - 60 mm; optimal: 40 mm \pm 3 mm
permissible angular deviation	$\pm 45^\circ$ from the perpendicular to the sheet
material	brass sleeve, nickel-plated, plastic parts, PBT, PA
ultrasonic transducer	polyurethane foam, epoxy resin with glass contents
max. tightening torque of nuts	15 Nm
class of protection to EN 60529	IP 65
operating temperature	+5°C to +60°C
storage temperature	-40°C to +85°C
weight	135 g

technical features/characteristics

controls	control input
scope for settings	working range selection via control inputs Teach-in via control inputs LCA-2 with LinkControl
indicators	1 x Duo-LED; green: working / red: double sheet / flashing red: missing sheet
particularities	receiver for ultrasonic double sheet control distance between transmitter and receiver can be selected swapped-out ultrasonic transducer cable connection

dbk+4/Empf/M18/3CDD/ M18

pin assignment



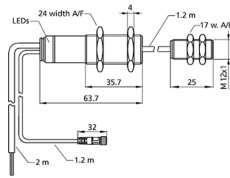
order no.

dbk+4/Empf/M18/3CDD/ M18

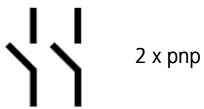
The content of this document is subject to technical changes.
Specifications in this document are presented in a descriptive way
only. They do not warrant any product features.

dbk+4/Empf/M12/3CDD/ M18

scale drawing



detection zone



2 x pnp

working range	papers with weights of 20 - 600 g/m ² , Washi, metal-laminated sheets and films up to 0.2 mm thick, self-adhesive films
design	cylindrical M12 with a swapped-out ultrasonic transducer
operating mode	double sheet control
particularities	receiver for ultrasonic double sheet control distance between transmitter and receiver can be selected swapped-out ultrasonic transducer M12 cable connection

ultrasonic-specific

means of measurement	pulse operation with amplitude evaluation
transducer frequency	500 kHz
blind zone	5 mm in front of transmitter and receiver

electrical data

operating voltage U _b	20 - 30 V d.c., reverse polarity protection
voltage ripple	± 10 %
no-load current consumption	≤ 50 mA
type of connection	2 m PUR cable, 7 x 0.14 mm ²
transmitter cable	1 m PUR cable with M8 initiator plug to the transmitter, 1.2 m PVC cable to the swapped out receiver

dbk+4/Empf/M12/3CDD/ M18

outputs

output 1	double sheet output pnp: $I_{\max} = 200 \text{ mA}$ ($U_B - 2\text{V}$) NOC/NCC adjustable, short-circuit-proof
output 2	missing sheet output pnp: $I_{\max} = 200 \text{ mA}$ ($U_B - 2\text{V}$) NOC/NCC adjustable, short-circuit-proof
response time	< 500 μs in trigger mode, 2.5 ms in free-run mode
delay prior to availability	< 300 ms

inputs

description	< $-U_B + 18 \text{ V}$: logic 1; > $-U_B + 13 \text{ V}$ or control input open: logic 0
input 1	control input
input 2	control input
input 3	control input

housing

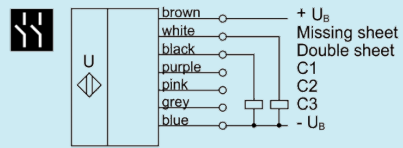
transmitter/receiver spacing	20 - 40 mm; optimal: 20 mm \pm 2 mm
permissible angular deviation	$\pm 45^\circ$ from the perpendicular to the sheet
material	brass sleeve, nickel-plated, plastic parts, PBT, PA
ultrasonic transducer	polyurethane foam, epoxy resin with glass contents
max. tightening torque of nuts	M18: 15 Nm, M12: 3 Nm
class of protection to EN 60529	IP 65
operating temperature	+5°C to +60°C
storage temperature	-40°C to +85°C
weight	140 g

technical features/characteristics

controls	control input
scope for settings	working range selection via control inputs Teach-in via control inputs LCA-2 with LinkControl
indicators	1 x Duo-LED; green: working / red: double sheet / flashing red: missing sheet
particularities	receiver for ultrasonic double sheet control distance between transmitter and receiver can be selected swapped-out ultrasonic transducer M12 cable connection

dbk+4/Empf/M12/3CDD/ M18

pin assignment



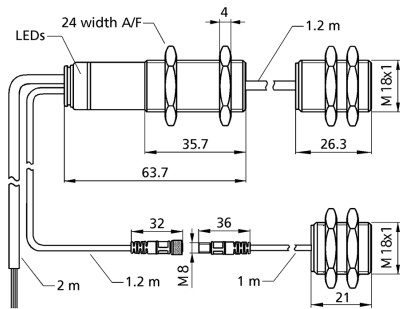
order no.

dbk+4/Empf/M12/3CDD/ M18

The content of this document is subject to technical changes.
Specifications in this document are presented in a descriptive way
only. They do not warrant any product features.

dbk+4/M18/3CDD/M18 E+S

scale drawing



detection zone



2 x pnp

working range	papers with weights of 20 - 2,000 g/m ² , Washi, metal-laminated sheets and films up to 0.4 mm thick, self-adhesive films, sheet metals up to 0.3 mm thick, fine corrugated card, wafers, PCBs
design	cylindrical M18 with a swapped-out ultrasonic transducer
operating mode	double sheet control
particularities	distance between transmitter and receiver can be selected swapped-out ultrasonic transducer cable connection

ultrasonic-specific

means of measurement	pulse operation with amplitude evaluation
transducer frequency	400 kHz
blind zone	7 mm in front of transmitter and receiver

electrical data

operating voltage U_b	20 - 30 V d.c., reverse polarity protection
voltage ripple	± 10 %
no-load current consumption	≤ 50 mA
type of connection	2 m PUR cable, 7 x 0.14 mm ²
transmitter cable	at the receiver: 1.2 m PUR cable, at the transmitter: 1 m PUR cable with M8 initiator plug

dbk+4/M18/3CDD/M18 E+S

outputs

output 1	double sheet output pnp: $I_{\max} = 200 \text{ mA}$ ($U_B - 2\text{V}$) NOC/NCC adjustable, short-circuit-proof
output 2	missing sheet output pnp: $I_{\max} = 200 \text{ mA}$ ($U_B - 2\text{V}$) NOC/NCC adjustable, short-circuit-proof
response time	< 500 μs in trigger mode, 2.5 ms in free-run mode
delay prior to availability	< 300 ms

inputs

description	< $-U_B + 18 \text{ V}$: logic 1; > $-U_B + 13 \text{ V}$ or control input open: logic 0
input 1	control input
input 2	control input
input 3	control input

housing

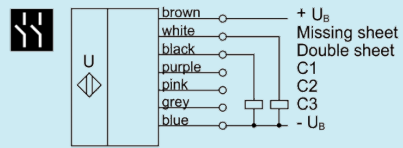
transmitter/receiver spacing	20 - 60 mm; optimal: 40 mm \pm 3 mm
permissible angular deviation	$\pm 45^\circ$ from the perpendicular to the sheet
material	brass sleeve, nickel-plated, plastic parts, PBT, PA
ultrasonic transducer	polyurethane foam, epoxy resin with glass contents
max. tightening torque of nuts	15 Nm
class of protection to EN 60529	IP 65
operating temperature	+5°C to +60°C
storage temperature	-40°C to +85°C
weight	165 g
further versions	single transmitter/receiver
further versions	dbk+4/Sender/M18/K1 dbk+4/Empf/M18/3CDD/ M18

technical features/characteristics

controls	control input
scope for settings	working range selection via control inputs Teach-in via control inputs LCA-2 with LinkControl
indicators	1 x Duo-LED; green: working / red: double sheet / flashing red: missing sheet
particularities	distance between transmitter and receiver can be selected swapped-out ultrasonic transducer cable connection

dbk+4/M18/3CDD/M18 E+S

pin assignment



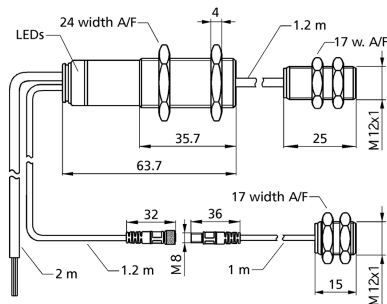
order no.

dbk+4/M18/3CDD/M18 E+S

The content of this document is subject to technical changes.
Specifications in this document are presented in a descriptive way
only. They do not warrant any product features.

dbk+4/M12/3CDD/M18 E+S

scale drawing



detection zone



2 x pnp

working range	papers with weights of 20 - 600 g/m ² , Washi, metal-laminated sheets and films up to 0.2 mm thick, self-adhesive films
design	cylindrical M12 with a swapped-out ultrasonic transducer
operating mode	double sheet control
particularities	distance between transmitter and receiver can be selected swapped-out ultrasonic transducer M12 cable connection

ultrasonic-specific

means of measurement	pulse operation with amplitude evaluation
transducer frequency	500 kHz
blind zone	5 mm in front of transmitter and receiver

electrical data

operating voltage U_b	20 - 30 V d.c., reverse polarity protection
voltage ripple	± 10 %
no-load current consumption	≤ 50 mA
type of connection	2 m PUR cable, 7 x 0.14 mm ²
transmitter cable	am Empfänger: 1,2 m PUR-Kabel, am Sender: 1 m PUR-Kabel, mit M8 Rundsteckverbinder; zum ausgelagerten Empfangswandler: 1,2 m PVC-Kabel

dbk+4/M12/3CDD/M18 E+S

outputs

output 1	double sheet output pnp: $I_{\max} = 200 \text{ mA}$ ($U_B - 2\text{V}$) NOC/NCC adjustable, short-circuit-proof
output 2	missing sheet output pnp: $I_{\max} = 200 \text{ mA}$ ($U_B - 2\text{V}$) NOC/NCC adjustable, short-circuit-proof
response time	< 500 μs in trigger mode, 2.5 ms in free-run mode
delay prior to availability	< 300 ms

inputs

description	< $-U_B + 18 \text{ V}$: logic 1; > $-U_B + 13 \text{ V}$ or control input open: logic 0
input 1	control input
input 2	control input
input 3	control input

housing

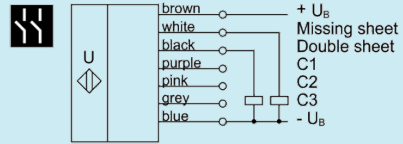
transmitter/receiver spacing	20 - 40 mm; optimal: 20 mm \pm 2 mm
permissible angular deviation	$\pm 45^\circ$ from the perpendicular to the sheet
material	brass sleeve, nickel-plated, plastic parts, PBT, PA
ultrasonic transducer	polyurethane foam, epoxy resin with glass contents
max. tightening torque of nuts	M18: 15 Nm, M12: 3 Nm
class of protection to EN 60529	IP 65
operating temperature	+5°C to +60°C
storage temperature	-40°C to +85°C
weight	160 g
further versions	single transmitter/receiver
further versions	dbk+4/Sender/ M12/K1 dbk+4/Empf/M12/3CDD/ M18

technical features/characteristics

controls	control input
scope for settings	working range selection via control inputs Teach-in via control inputs LCA-2 with LinkControl
indicators	1 x Duo-LED; green: working / red: double sheet / flashing red: missing sheet
particularities	distance between transmitter and receiver can be selected swapped-out ultrasonic transducer M12 cable connection

dbk+4/M12/3CDD/M18 E+S

pin assignment



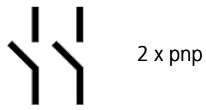
order no.

dbk+4/M12/3CDD/M18 E+S

The content of this document is subject to technical changes.
Specifications in this document are presented in a descriptive way
only. They do not warrant any product features.

dbk+4/Empf/KU/3CDD/ M18

scale drawing



detection zone

working range	papers with weights of 20 - 2,000 g/m ² , Washi, metal-laminated sheets and films up to 0.4 mm thick, self-adhesive films, sheet metals up to 0.3 mm thick, fine corrugated card, wafers, PCBs
design	special design
operating mode	double sheet control
particularities	receiver for ultrasonic double sheet control distance between transmitter and receiver can be selected swapped-out ultrasonic transducer special design cable connection

ultrasonic-specific

means of measurement	pulse operation with amplitude evaluation
transducer frequency	400 kHz
blind zone	7 mm in front of transmitter and receiver

electrical data

operating voltage U _B	20 - 30 V d.c., reverse polarity protection
voltage ripple	± 10 %
no-load current consumption	≤ 50 mA
type of connection	2 m PUR cable, 7 x 0.14 mm ²
transmitter cable	am Empfänger: 1,2 m PUR-Kabel, am Sender: 1 m PUR-Kabel, mit M8 Rundsteckverbinder; zum ausgelagerten Empfangswandler: 1,2 m PVC-Kabel

dbk+4/Empf/KU/3CDD/ M18

outputs

output 1	double sheet output pnp: $I_{\max} = 200 \text{ mA}$ ($U_B - 2\text{V}$) NOC/NCC adjustable, short-circuit-proof
output 2	missing sheet output pnp: $I_{\max} = 200 \text{ mA}$ ($U_B - 2\text{V}$) NOC/NCC adjustable, short-circuit-proof
response time	< 500 μs in trigger mode, 2.5 ms in free-run mode
delay prior to availability	< 300 ms

inputs

description	< $-U_B + 18 \text{ V}$: logic 1; > $-U_B + 13 \text{ V}$ or control input open: logic 0
input 1	control input
input 2	control input
input 3	control input

housing

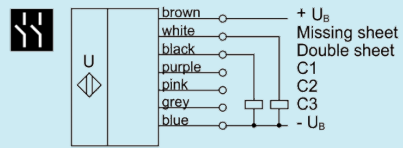
transmitter/receiver spacing	20 - 60 mm; optimal: 40 mm \pm 3 mm
permissible angular deviation	$\pm 45^\circ$ from the perpendicular to the sheet
ultrasonic transducer	polyurethane foam, epoxy resin with glass contents
max. tightening torque of nuts	15 Nm
class of protection to EN 60529	IP 65
operating temperature	+5°C to +60°C
storage temperature	-40°C to +85°C

technical features/characteristics

controls	control input
scope for settings	working range selection via control inputs Teach-in via control inputs LCA-2 with LinkControl
indicators	1 x Duo-LED; green: working / red: double sheet / flashing red: missing sheet
particularities	receiver for ultrasonic double sheet control distance between transmitter and receiver can be selected swapped-out ultrasonic transducer special design cable connection

dbk+4/Empf/KU/3CDD/ M18

pin assignment



order no.

dbk+4/Empf/KU/3CDD/ M18

The content of this document is subject to technical changes.
Specifications in this document are presented in a descriptive way
only. They do not warrant any product features.